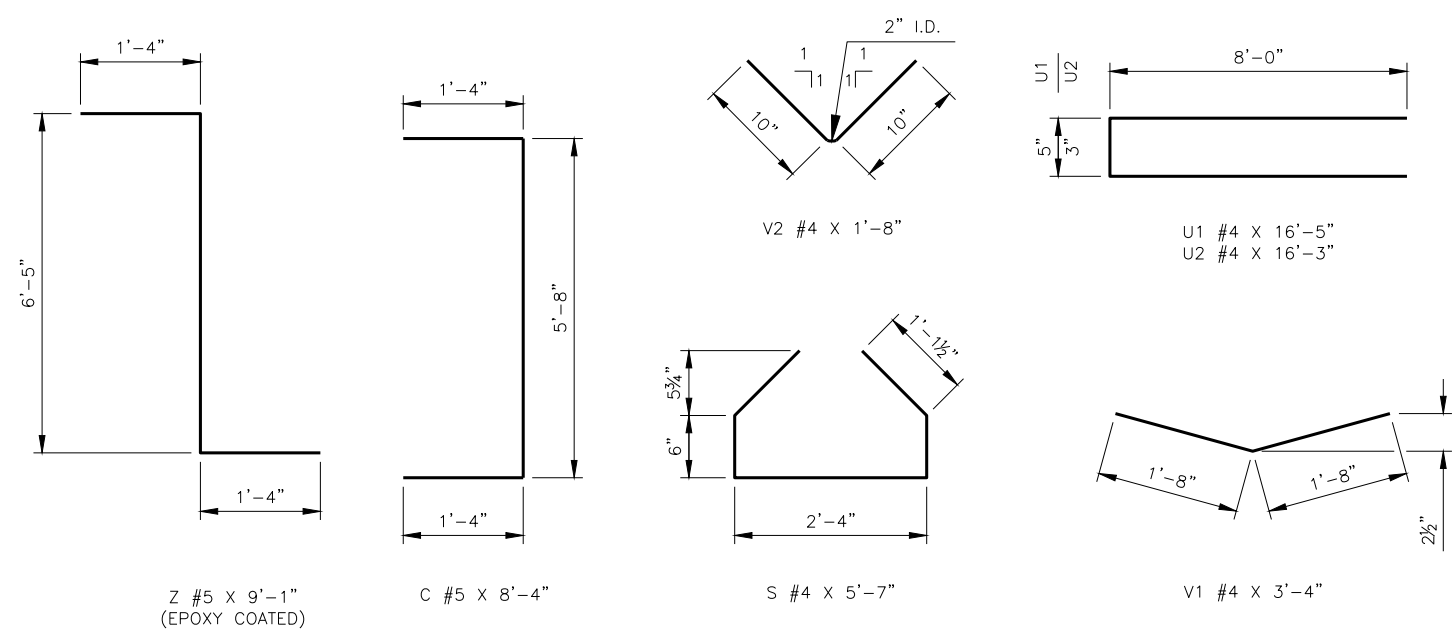
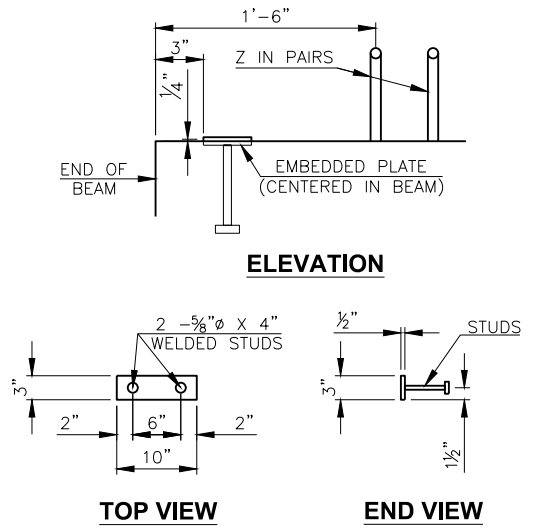


DESCRIPTION	REVISIONS	DATE



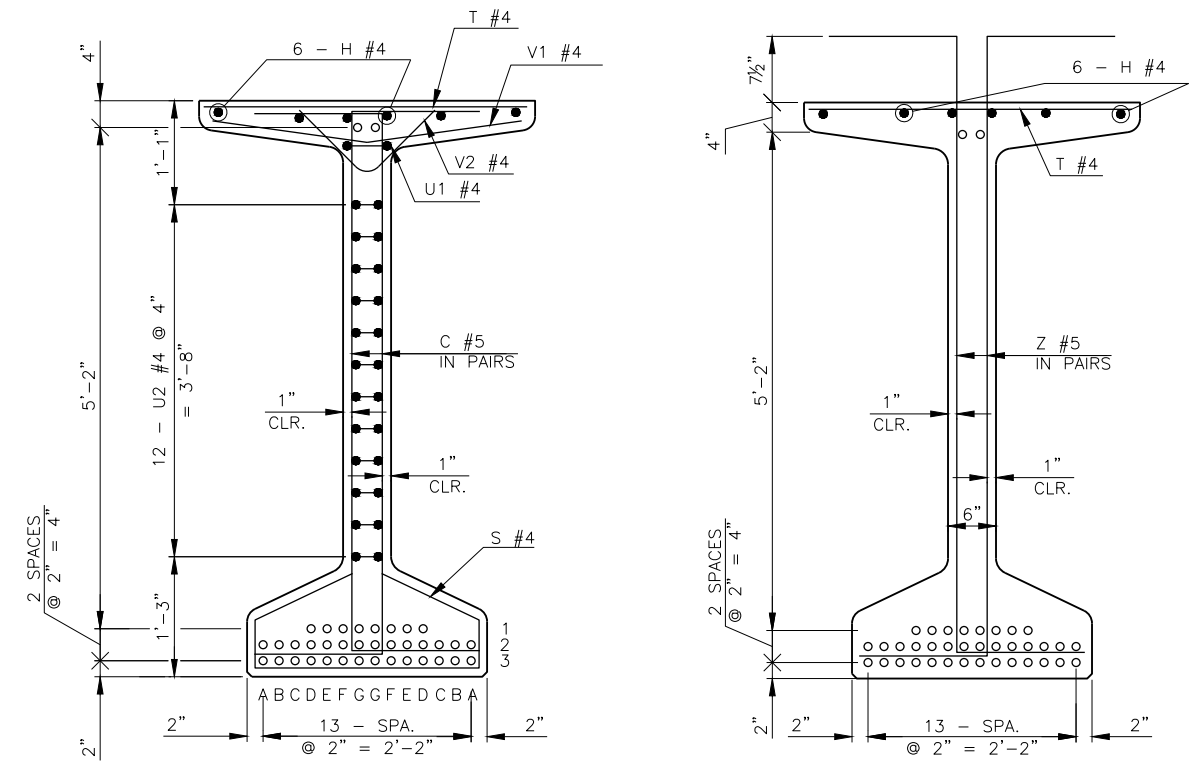
**DETAILS OF BENT REINFORCING STEEL**



**TOP VIEW      END VIEW**

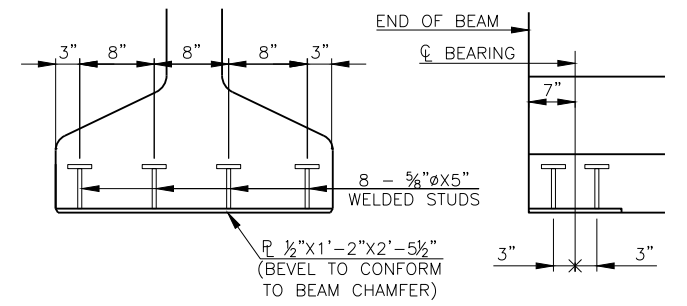
**EMBEDDED BEAM PLATE DETAILS**

NOTE: PROVIDE AN EMBEDDED PLATE AT EXPANSION END ONLY.



**END SECTION      CL SECTION**

**BEAM SECTIONS**



**END VIEW      ELEVATION**

**EMBEDDED SOLE PLATE DETAILS**

NOTE: PROVIDE AN EMBEDDED SOLE PLATE AT EACH END OF BEAM.

DESIGN	T.A.C.	OKLAHOMA CITY BOULEVARD OVER CLASSEN BLVD.	OKLAHOMA COUNTY BRIDGE A & B
DRAWN	R.A.P.		
CHECKED	T.A.C.		
APPROV.	T.A.C.		
SQUAD	CEC		

**BEAM DETAILS  
(SHEET 2 OF 2)**